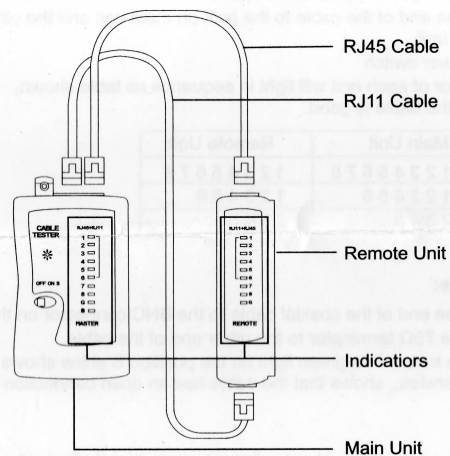


Multi-Module Cable Tester User's Manual



Features:

- Tests RJ45 , UTP, 10 Base-T, Token ring, RJ-11/ RJ-12 USOC and Coaxial BNC cable
- Test cable for continuity, short, open and check cable types.
- Separated remote unit allow one person testing.
- Power source: DC 9V Battery
- Dimension: 102x106x28 (mm)

How to Use:

RJ45 UTP and RJ11 Telephone/FAX cable

1. Connect one end of the cable to the jack on main unit and the other end to the remote unit
2. Turn on power switch
3. The indicator of each unit will light in sequence as table shown, to indicate the cable is good.

4.

	Main Unit	Remote Unit
RJ45	1 2 3 4 5 6 7 8	1 2 3 4 5 6 7 8
RJ12	1 2 3 4 5 6	1 2 3 4 5 6
RJ11	2 3 4 5	2 3 4 5

Remarks:

Tester is for LAN cable test only, Do not use to test CATV cable or LAN connection or electric circuit.