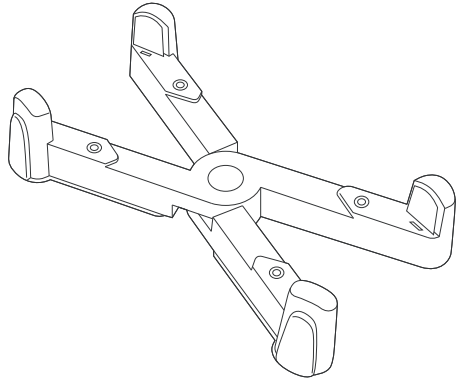
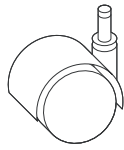


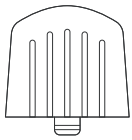
SY-ACC65029 CPU STAND ASSEMBLY INSTRUCTION



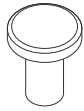
① main body x 1pc



② wheel x 5pcs

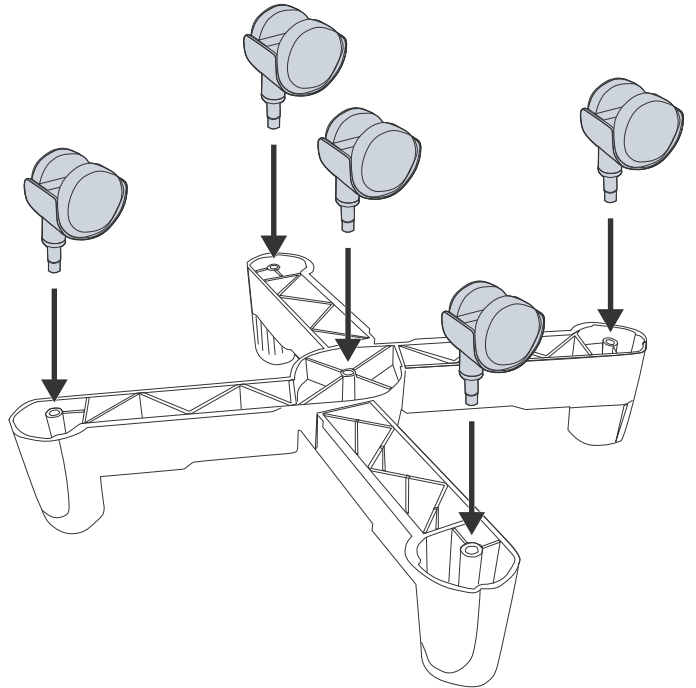


③ Non-Skid Pads -big x 4pcs

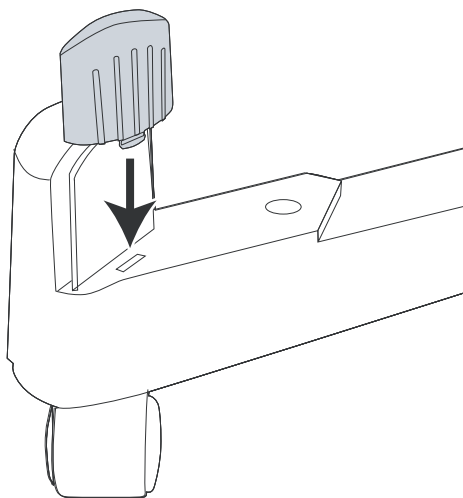


④ Non-Skid Pads -small x 4pcs

STEP -1



STEP -2



STEP -3

