

INTRODUCTION

This 2.5" SATA to mSATA SSD adapter is an economical choice to use Intel mSATA SSD as a 2.5" SATA storage device. Once being installed into PC/laptop, the Intel mSATA SSD appears as an ordinary SATA storage to any OS and can be configured as a bootable device. Additionally, this adapter can also support USB-type mSATA SSD.

FEATURES & SPECIFICATION

- Transparent to OS and does not require any driver
- Complies with Serial ATA 1.0a specification (SATA mode)
- Supports SATA III (1.5Gbps, 3.0Gbps and 6.0Gbps) host interface (SATA mode)
- Supports hot swap
- Complies with USB 2.0 specification (USB mode)
- Compatible to Intel-type mSATA SSD (mSATA Interface)
- Compatible to USB-type mSATA device (mSATA Interface)

PACKAGE CONTENTS

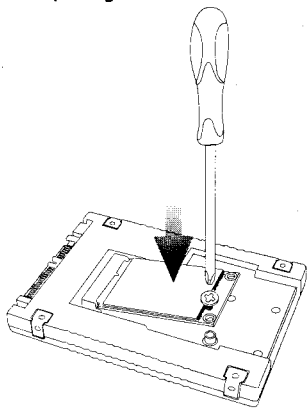
Please check whether the package contains the following items:

- 2.5" SATA to mSATA SSD Adapter x 1
- Screws x 2
- User's Manual x 1

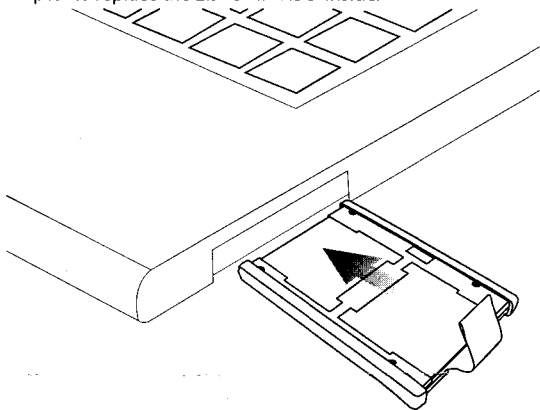
If any item is missing or damaged, please contact the retailer as soon as possible.

HARDWARE INSTALLATION

1. Install a Intel-type mSATA SSD to the adapter, secure it with two screws provided in the package.



2. Now you can use the adapter as a 2.5" SATA storage device. For example, you can install it into a notebook.
3. Turn off your notebook and all external devices connected to it.
4. Disconnect your notebook from the power sources.
5. Open the HDD case of your notebook. Refer to your notebook user manual for more details
6. Use the adapter to replace the 2.5" SATA HDD inside.



7. Secure the HDD case and then switch on your notebook.
8. Or you can install the adapter to any 2.5" SATA HDD compatible device like USB portable hard drive enclosure.
9. If you have a USB-type mSATA device, install it to the adapter and secure it with two screws provided in the package.
10. Use a mini USB cable (not including in the package) to connect the adapter to an available USB host port on your notebook or computer.
11. You might need to install driver for the USB-type mSATA device, please refer to its user manual.

GETTING THE LATEST DRIVER, SOFTWARE or DOCUMENT

To get the latest driver, software or document, please visit the following website:

<http://www.drivers-download.com>

In "Drivers Search" section, please enter the Download code (DL code): **DL-0130001** to search for the latest driver, software or document.

All specifications and information are subjected to change without prior notice.

All brand /company names, logos and trademarks referenced in this manual are the property of their respective owners.

Our products including the packaging are not toys and they might contain small parts and sharp objects. Please keep away from children.